

1	PRIMARY CHAMBER
2	CONTROL CELL (AFTERBURNER)
3	PRIMARY BURNER
4	SECONDARY BURNER
5	COMBUSTION AIR BLOWER
6	MAIN DOOR W/VIEW PORT
7	CONTROL PANEL
8	THERMOCOUPLES
9	AIR PORT CLEAN-OUT CAPS
10	STACK SECTIONS (2)
11	DOOR LIFT ASSEMBLY
12	FACADE
13	ASH CLEANOUT
⊕	FUEL SERVICE LINE (BY OTHERS)
⊕	ELECTRICAL SERVICE(BY OTHERS)

REVISION	DATE	BY	DESCRIPTION
B	09/05/07	TPS	CHANGED TO 20" AFTERBURNER & STACKS

THIS DOCUMENT DISCLOSES SUBJECT MATTER TO WHICH THERM-TEC, INC., SHERWOOD, OREGON HAS PROPRIETARY RIGHTS AND IS NOT TO BE USED IN ANY WAY WITHOUT CONSENT OF THERM-TEC, INC., SHERWOOD, OREGON.

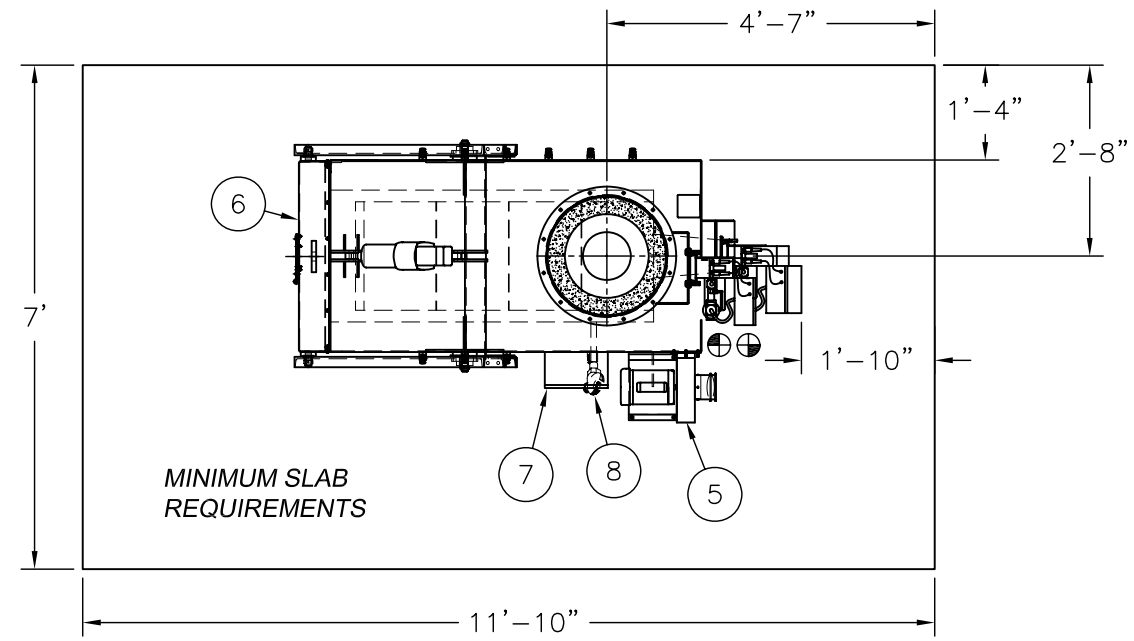
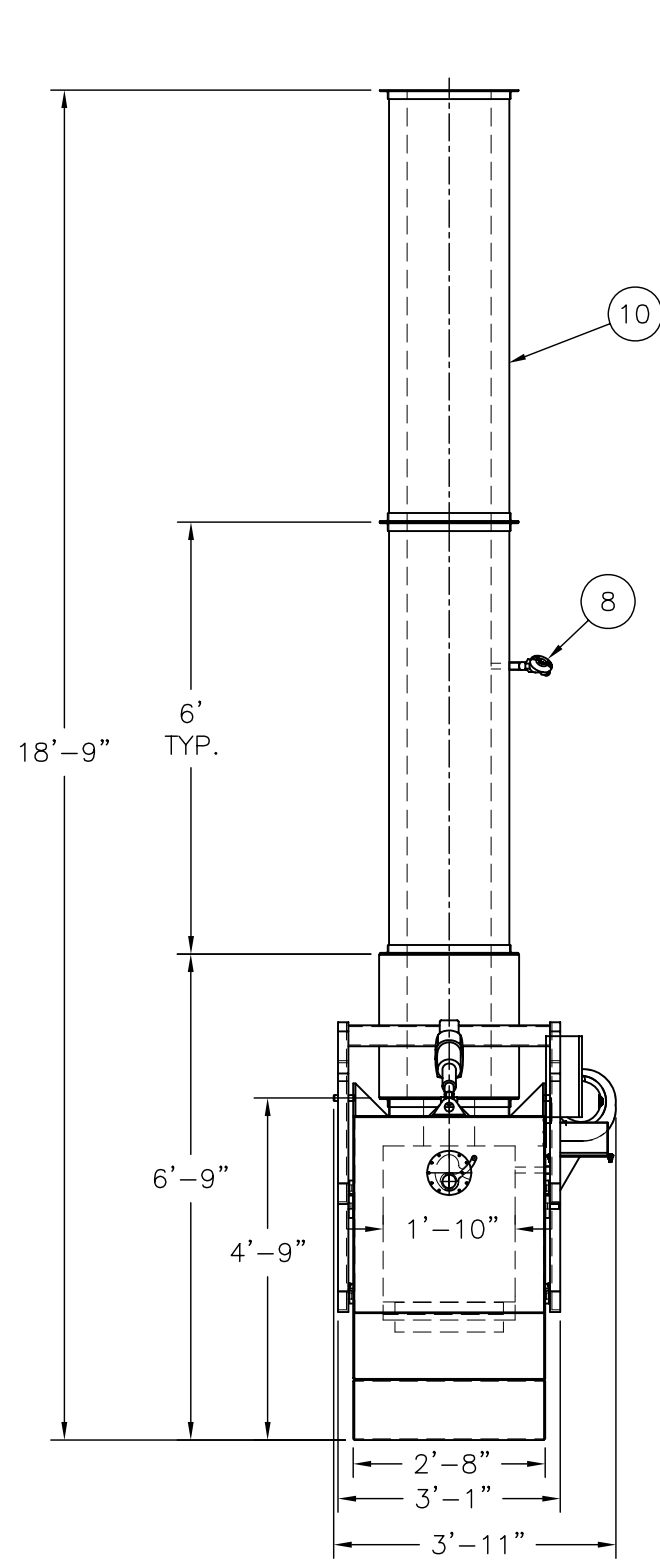
SCALE	3/8"=1'-0"
DRAWN BY	T.SROFE
DATE	07/24/03
CHECKED BY	
TOLERANCES (EXCEPT AS NOTED)	± 1"



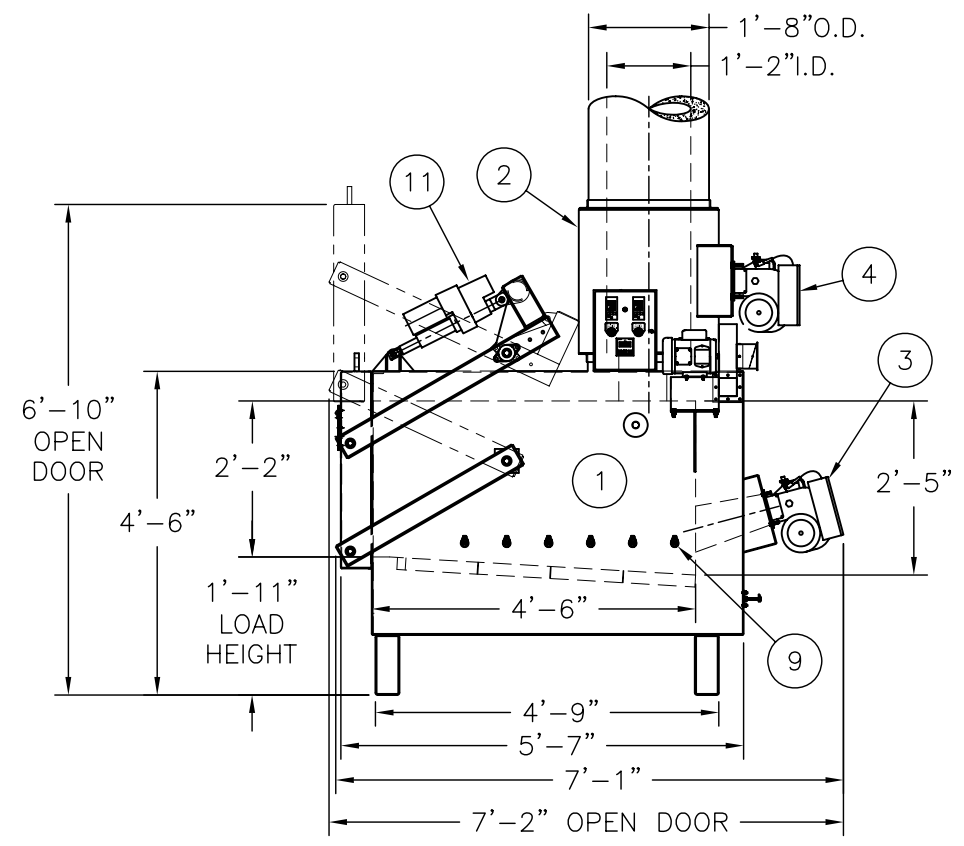
GENERAL ARRANGEMENT
S-27-G-F ANIMAL CREMATOR

BSG-2753 CHANGE
SHEET 1 OF 4 B

1	PRIMARY CHAMBER
2	CONTROL CELL (AFTERBURNER)
3	PRIMARY BURNER
4	SECONDARY BURNER
5	COMBUSTION AIR BLOWER
6	MAIN DOOR W/VIEW PORT
7	CONTROL PANEL
8	THERMOCOUPLES
9	AIR PORT CLEAN-OUT CAPS
10	STACK SECTIONS (2)
11	DOOR LIFT ASSEMBLY
⊕	FUEL SERVICE LINE (BY OTHERS)
⊖	ELECTRICAL SERVICE(BY OTHERS)



NOTE: THESE VIEWS SHOWN WITHOUT FACADE



REVISION	DATE	BY	DESCRIPTION
B	09/05/07	TPS	CHANGED TO 20" AFTERBURNER & STACKS

THIS DOCUMENT DISCLOSES SUBJECT MATTER TO WHICH THERM-TEC, INC., SHERWOOD, OREGON HAS PROPRIETARY RIGHTS AND IS NOT TO BE USED IN ANY WAY WITHOUT CONSENT OF THERM-TEC, INC., SHERWOOD, OREGON.

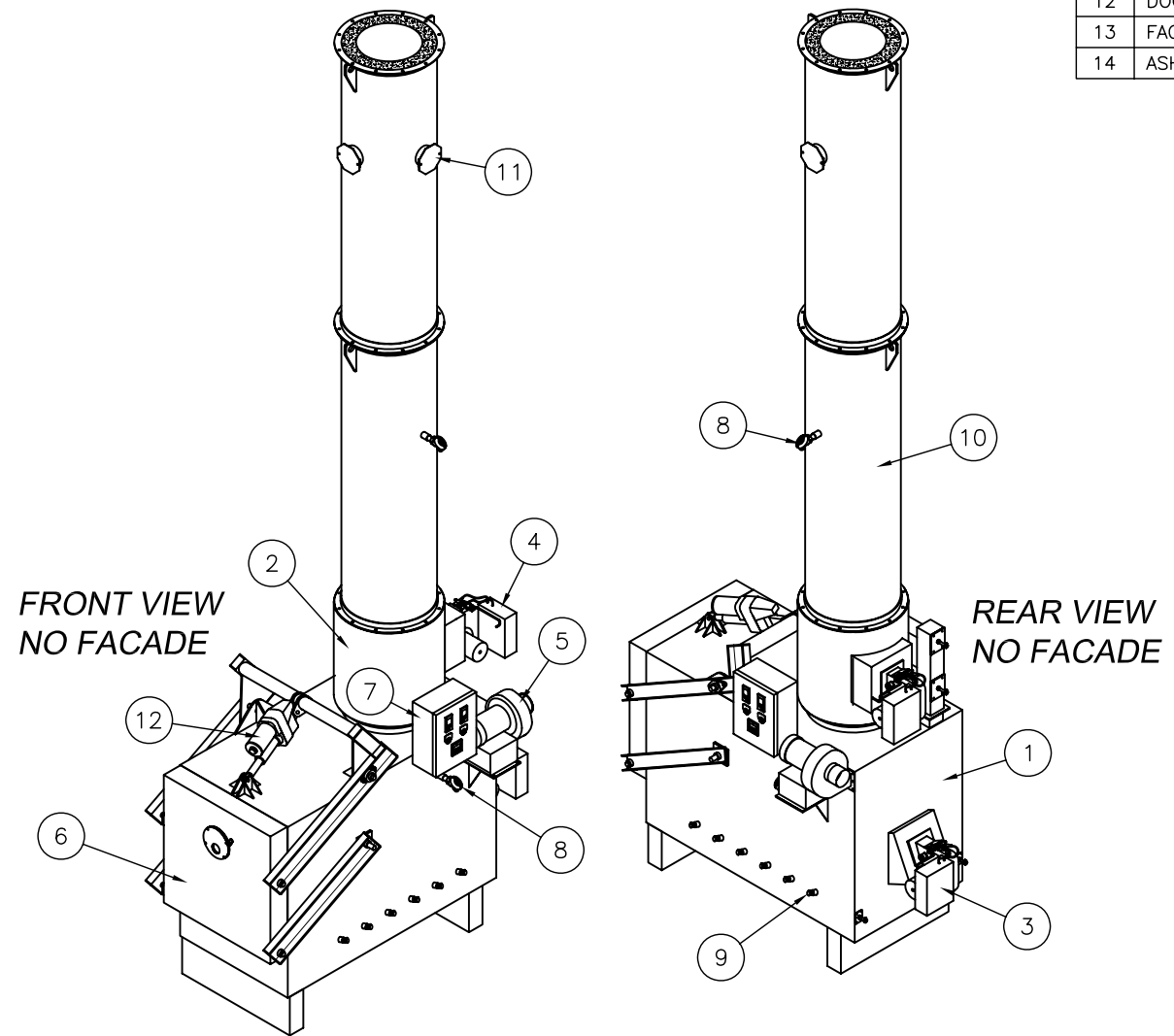
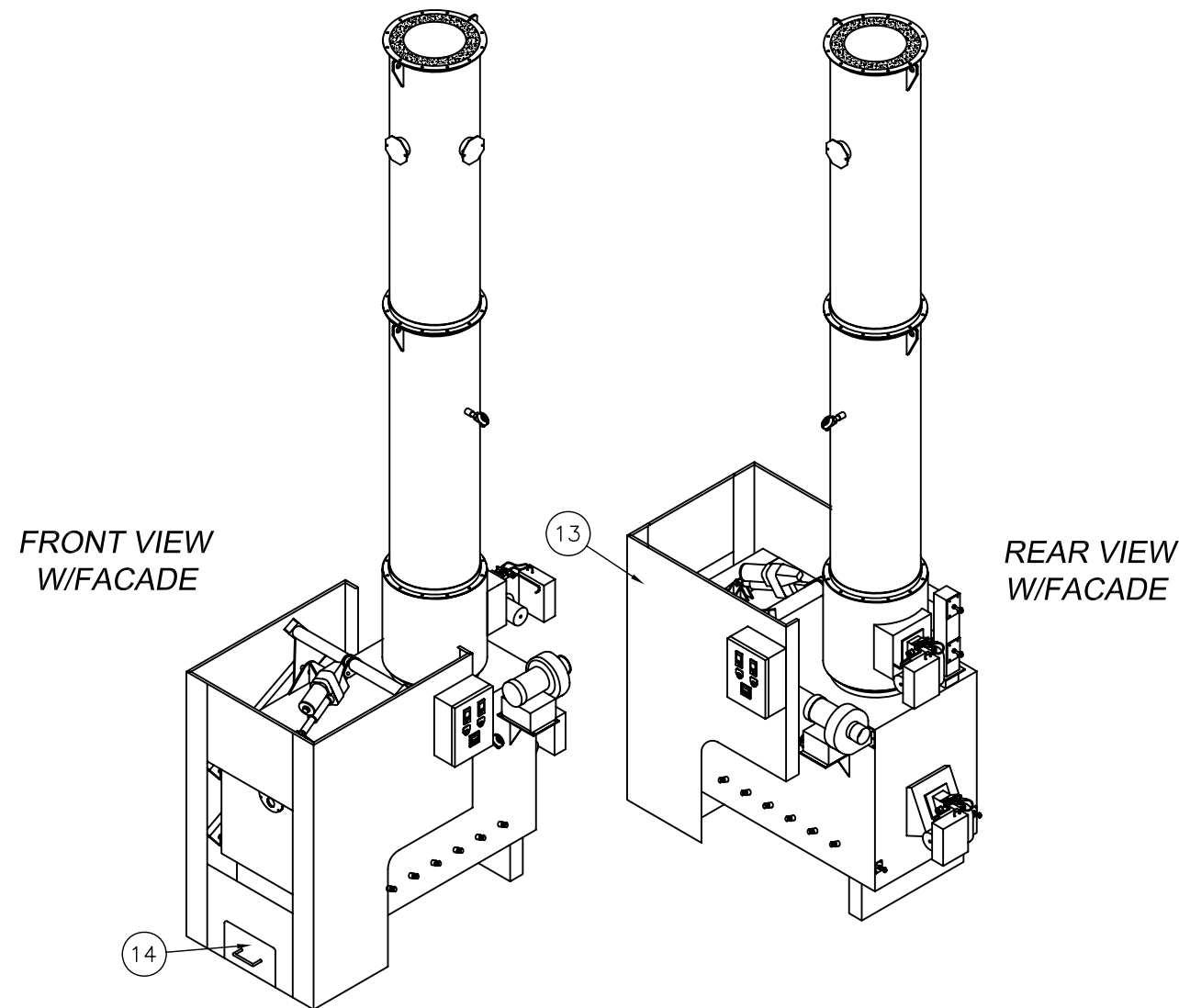
L/C

SCALE	3/8"=1'-0"
DRAWN BY	T.SROFE
DATE	07/24/03
CHECKED BY	
TOLERANCES (EXCEPT AS NOTED)	± 1/32"



GENERAL ARRANGEMENT
S-27-G ANIMAL CREMATOR

1	PRIMARY CHAMBER
2	CONTROL CELL (AFTERBURNER)
3	PRIMARY BURNER
4	SECONDARY BURNER
5	COMBUSTION AIR BLOWER
6	MAIN DOOR W/VIEW PORT
7	CONTROL PANEL
8	THERMOCOUPLES
9	AIR PORT CLEAN-OUT CAPS
10	STACK SECTIONS (2)
11	TEST PORTS
12	DOOR LIFT ASSEMBLY
13	FACADE
14	ASH CLEANOUT



REVISION	DATE	BY	DESCRIPTION
B	09/05/07	TPS	CHANGED TO 20" AFTERBURNER & STACKS

THIS DOCUMENT DISCLOSES SUBJECT MATTER TO WHICH THERM-TEC, INC., SHERWOOD, OREGON HAS PROPRIETARY RIGHTS AND IS NOT TO BE USED IN ANY WAY WITHOUT CONSENT OF THERM-TEC, INC., SHERWOOD, OREGON.

SCALE
1/4" = 1'-0"

DRAWN BY
T.SROFE

DATE
07/24/03

CHECKED BY

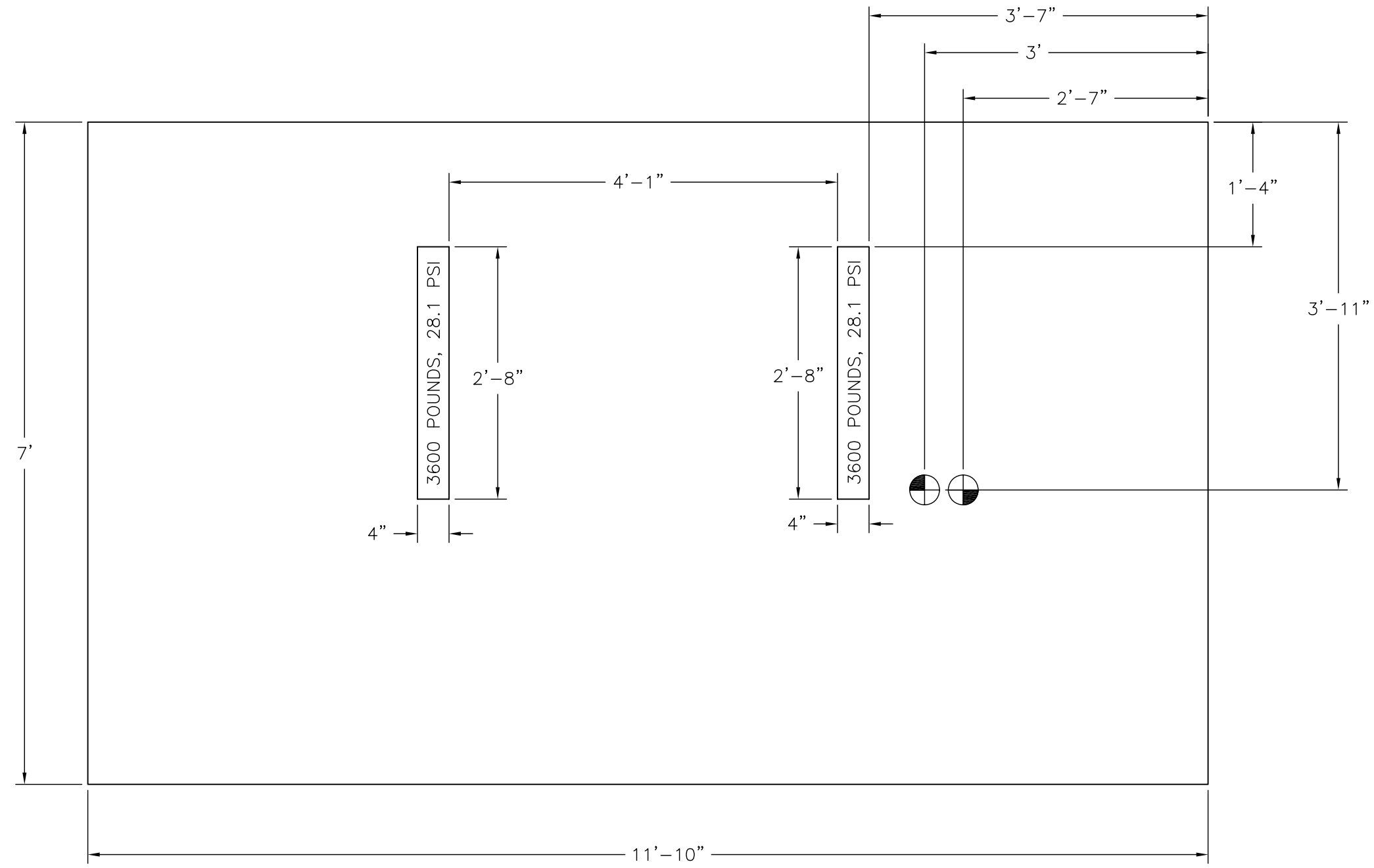
TOLERANCES
(EXCEPT AS NOTED)
± 1/32"



GENERAL ARRANGEMENT
S-27-G-F ANIMAL CREMATOR

BSG-2753 CHANGE
SHEET 3 OF 4 B

	FUEL SERVICE LINE (BY OTHERS)
	ELECTRICAL SERVICE(BY OTHERS)



REVISION	DATE	BY	DESCRIPTION
B	09/05/07	TPS	CHANGED TO 20" AFTERBURNER & STACKS

THIS DOCUMENT DISCLOSES SUBJECT MATTER TO WHICH THERM-TEC, INC., SHERWOOD, OREGON HAS PROPRIETARY RIGHTS AND IS NOT TO BE USED IN ANY WAY WITHOUT CONSENT OF THERM-TEC, INC., SHERWOOD, OREGON.

L/C

SCALE 3/4"=1'-0"
DRAWN BY T.SROFE
DATE 07/24/03
CHECKED BY
TOLERANCES (EXCEPT AS NOTED) ± 1"



GENERAL ARRANGEMENT
S-27-G CREMATOR

BSG-2753 CHANGE
SHEET 4 OF 4 B

T.SROFE 14:18:13 03/24/06